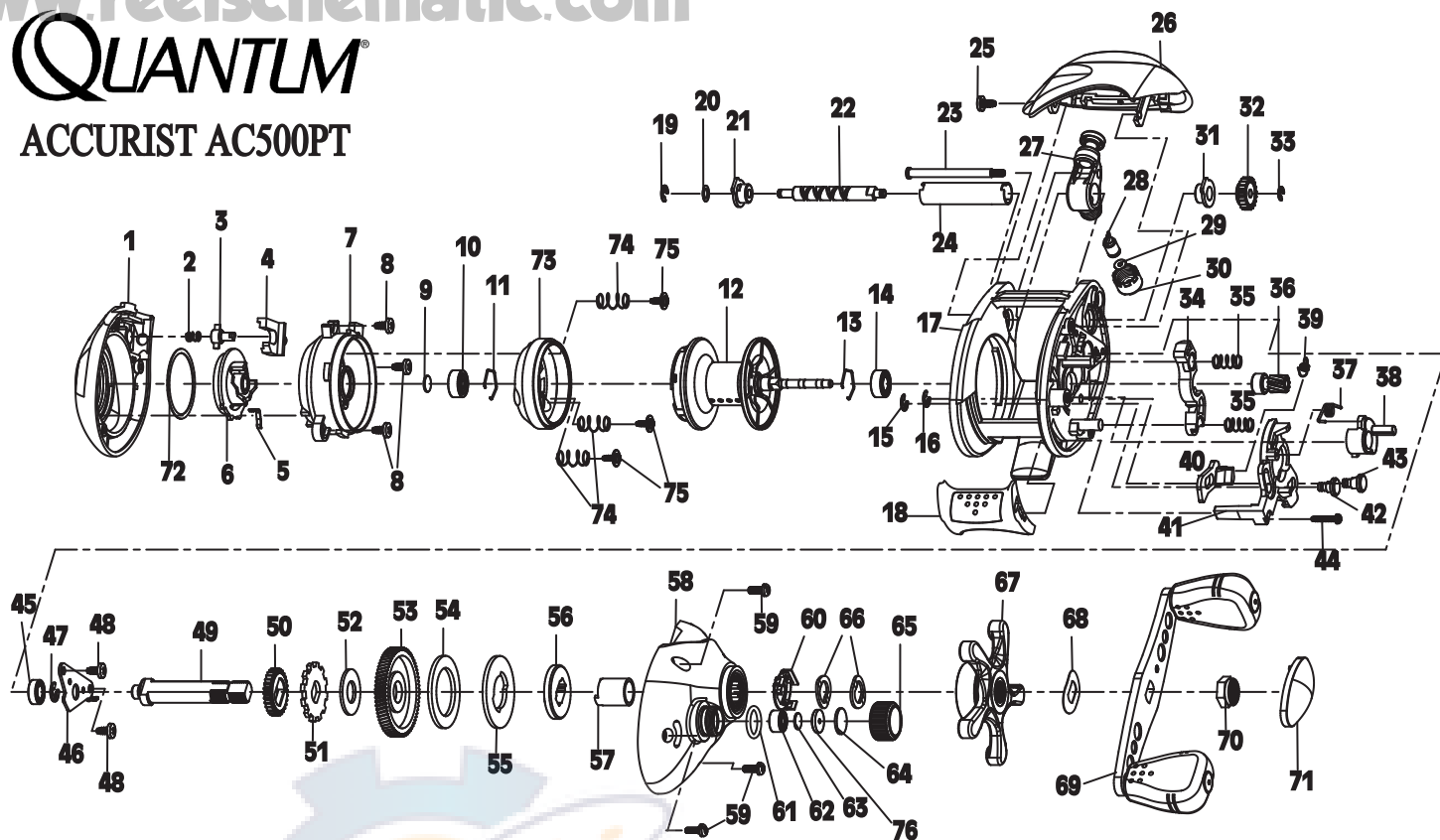


# QUANTUM

ACCURIST AC500PT



Key #	Description	Part No.
1	Palm Side Cover Assembly	HV323-03
2	Palm Side Cover Locking Spring	QV096-01
3	Palm Side Cover Locking Pin	HV095-01
4	Palm Side Cover Release Button	HV119-01
5	Centrifugal Dial Spring	HV108-01
6	Centrifugal Dial	HV026-01
7	Spool Cover	HV051-01
8	Spool Cover Screw	QV125-02
9	Spool Shaft Washer	QW032-04
10	Spool Shaft Bearing (Palm)	QV017-01
11	Clip Ring	HV080-01
12	Spool Assembly	BX321-01
13	Clip Ring	HV080-01
14	Spool Shaft Bearing (Gear)	JX106-01
15	E-Clip	NX092-01
16	E-Clip	NX092-01
17	Frame	HV001-01
18	Thumb Bar	HV009-01
19	E-Clip	NX092-01
20	Worm Shaft Washer	QW035-03
21	Worm Shaft Bushing (Palm)	HV067-01
22	Worm Shaft	HV072-02
23	Stabilizer Bar	ZW061-01
24	Worm Shaft Guide	HV016-01
25	Hood Screw	QV125-02
26	Hood Assembly	HV327-03
27	Line Guide Carrier Assembly	HV347-01
28	Line Guide Pawl	CX006-01
29	Line Guide Carrier Washer	BV035-01
30	Line Guide Carrier Screw	ZW007-01
31	Worm Shaft Bushing (Gear)	HV068-01
32	O/S Pinion Gear	HV085-01
33	E-Clip	NX090-01
34	Pinion Yoke	HV025-01
35	Pinion Yoke Spring	QW040-01
36	Pinion Gear Assembly	VW311-01
37	Release Slider Spring	HV104-01
38	Flipping Switch	HV087-01

Key #	Description	Part No.
39	Kick Lever Spring	QV097-01
40	Kick Lever	HV077-01
41	Release Slider	HV039-01
42	Release Slider Guide Pin	HV102-01
43	Kick Lever Guide Pin	HV118-01
44	Thumb Bar Screw	ZW053-01
45	Crank Shaft Bearing (L)	SW017-01
46	E-Clip	QW120-01
47	Crank Shaft Retainer	HV002-01
48	Crank Shaft Retainer Screw	QV125-02
49	Crank Shaft	HV008-01
50	O/S Drive Gear	ZW112-01
51	Trip Ratchet	QW083-01
52	Trip Ratchet Washer	QW111-01
53	Drive Gear	HV012-01
54	Drag Disc	HV059-01
55	Drag Key Washer	HV045-01
56	Link	HV036-01
57	One Way Bearing Sleeve	HV052-01
58	Gear Side Cover Assembly	HV324-06
59	Gear Side Cover Screw	BV123-01
60	Drag Click Spring Assembly	ZW4114
61	Tension Knob O-Ring	QW101-01
62	Tension Knob Bearing	SW117-01
63	Spool Tension Washer	QW032-04
64	Spool Cushion Washer	QW082-01
65	Spool Tension Knob Assy	CX333-01
66	Spring "D" Washer	QW046-02
67	Star Drag Assembly	HV355-05
68	Handle Washer	QW054-01
69	Handle Assembly	HV318-01
70	Handle Nut	RV003-01
71	Handle Nut Cap	RV034-01
72	Centrifugal Dial Washer	QV111-01
73	Brake Ring Assembly	HV342-01
74	Brake Ring Slider Spring	QV070-01
75	Brake Ring Retainer Screw	QV076-01
76	Spool Tension Collar	QW081-01